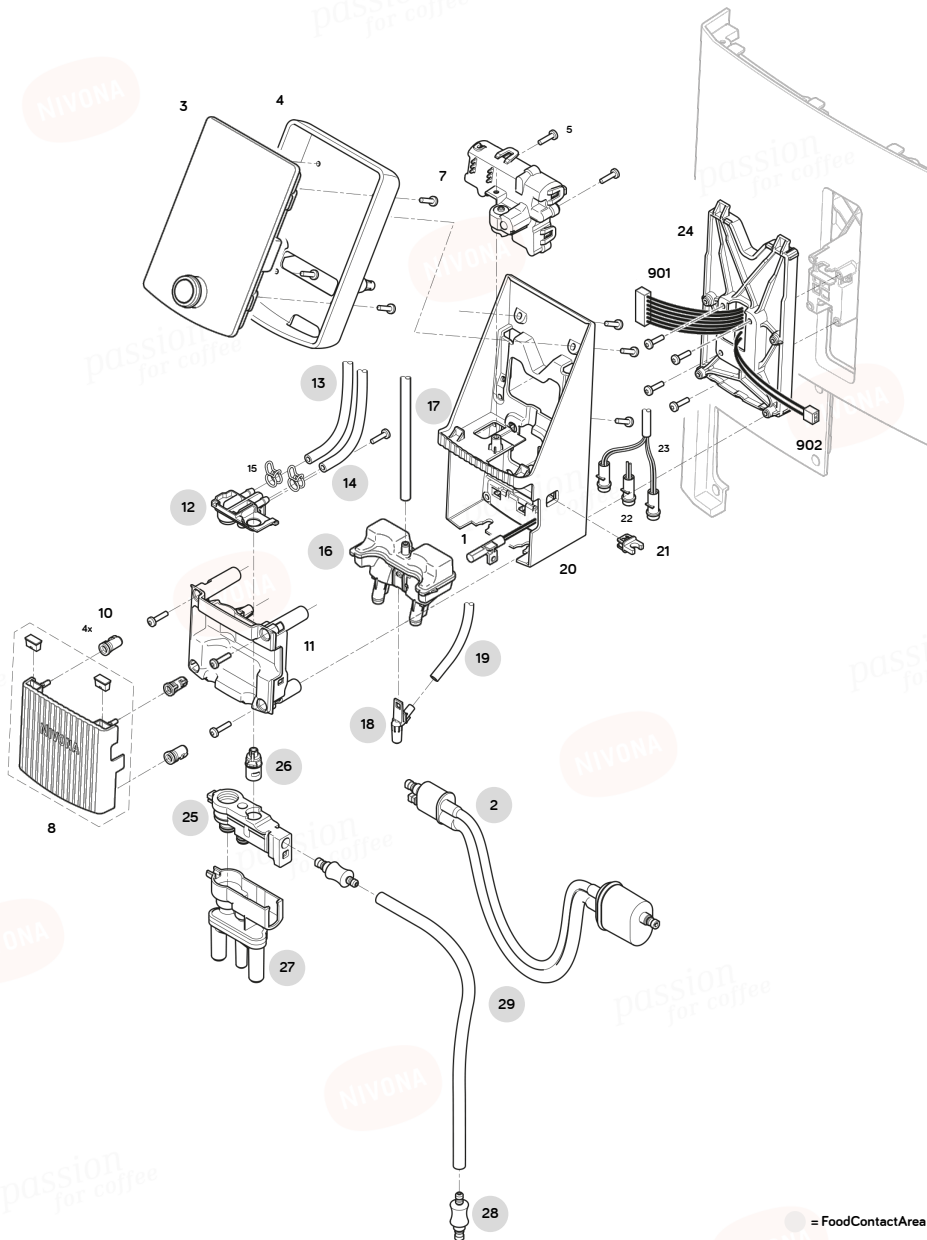


NICR 1040



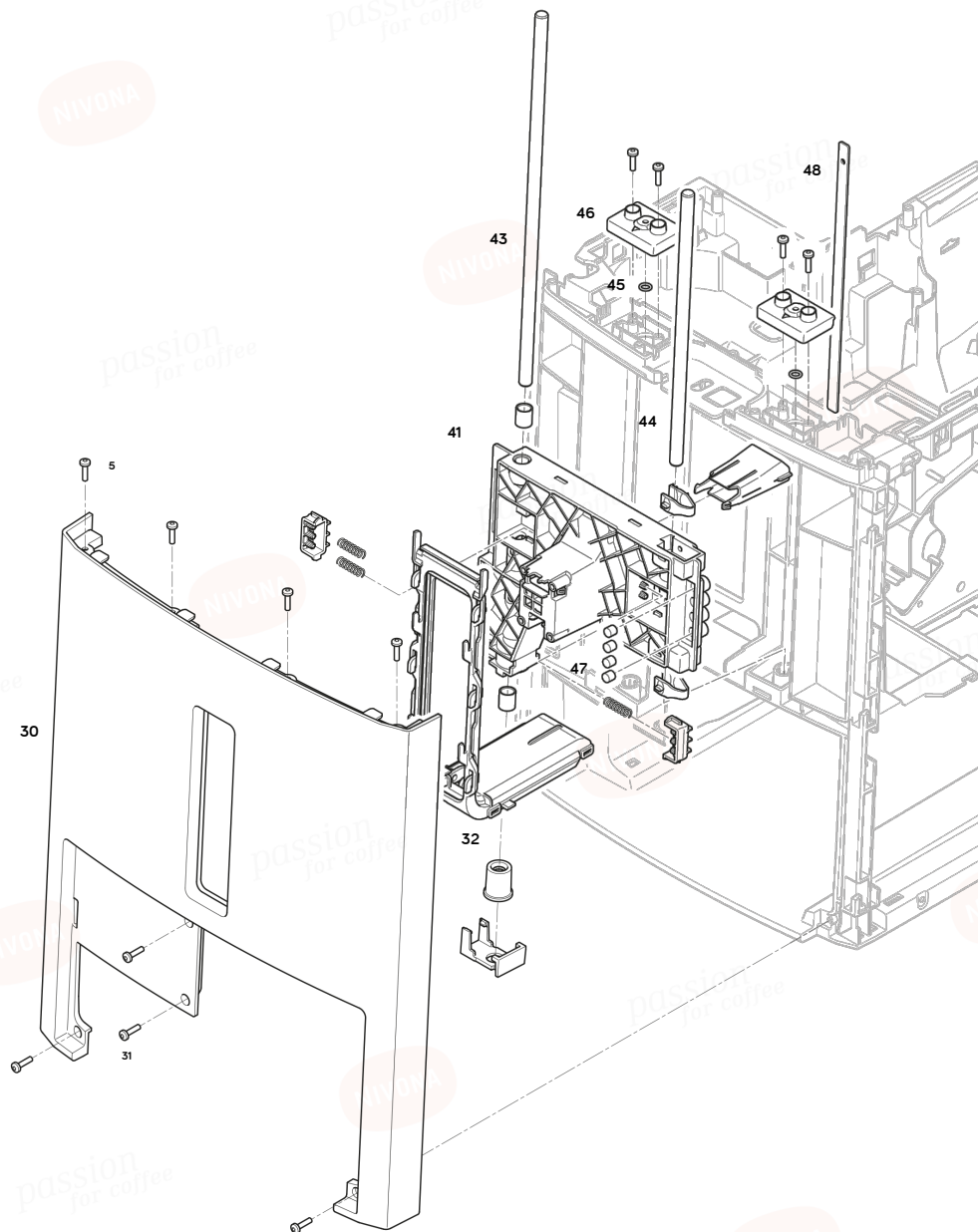
#	Description	Part No.
2	Valve 1043 cpl. Rinsing, Milk	123883
3	Electronic 568 MMI board	92671
901	Connctor 568 7x Display	94475
4	Casing 568 control panel	93457
5	Screw KST/PT 3,0x12 bl galvan	16052
7	Driver 568	112296
902	Connector 2x driver milk	95941
8	Cover 568 outlet	123108
10	Damper 568 outlet	91914
11	Cover 568 outlet	91768
12	Adaptor 568 steam nozzle	93384
13	Hose silic/reinf. D06,5xd3,0	80924
14	Hose silic/reinf. D06,5xd3,0	64759
15	Hose clamp 7,0-7,5mm Gohard	46283
16	Outlet 568 coffee	93386
17	Hose silic D06,0xd3,00x190mm	66449
18	Outlet 568 hot water	93387
19	Hose silic D06,0xd3,00x400mm	92820
20	Casing 568 outlet	122908
21	Holder 692 hose	89824
22	LED 568 cup lighting, 1LED	94473
23	LED 568 cup lighting, 2LED	94474
24	Outlet slider 568	91762
25	Suction nozzle 568	129306
26	Valve 568 milk temperature	112508
27	Outlet 568 milk	93263
28	Fluid nipple 507 I-form	66201
29	Hose silic D06,0xd3,00x350mm	99818

● = FoodContactArea

NIVONA

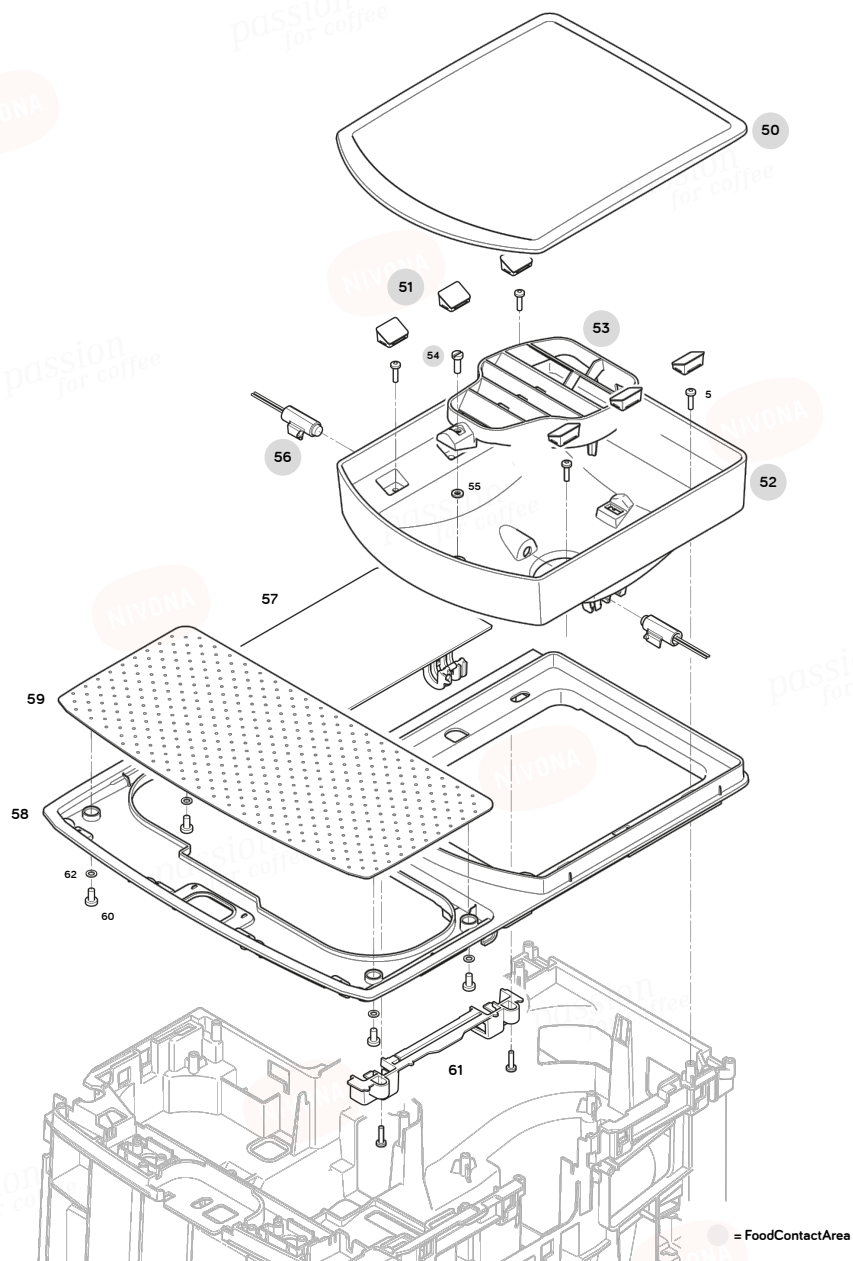
07.01.2021 | NICR 1040 | 1/12

NICR 1040



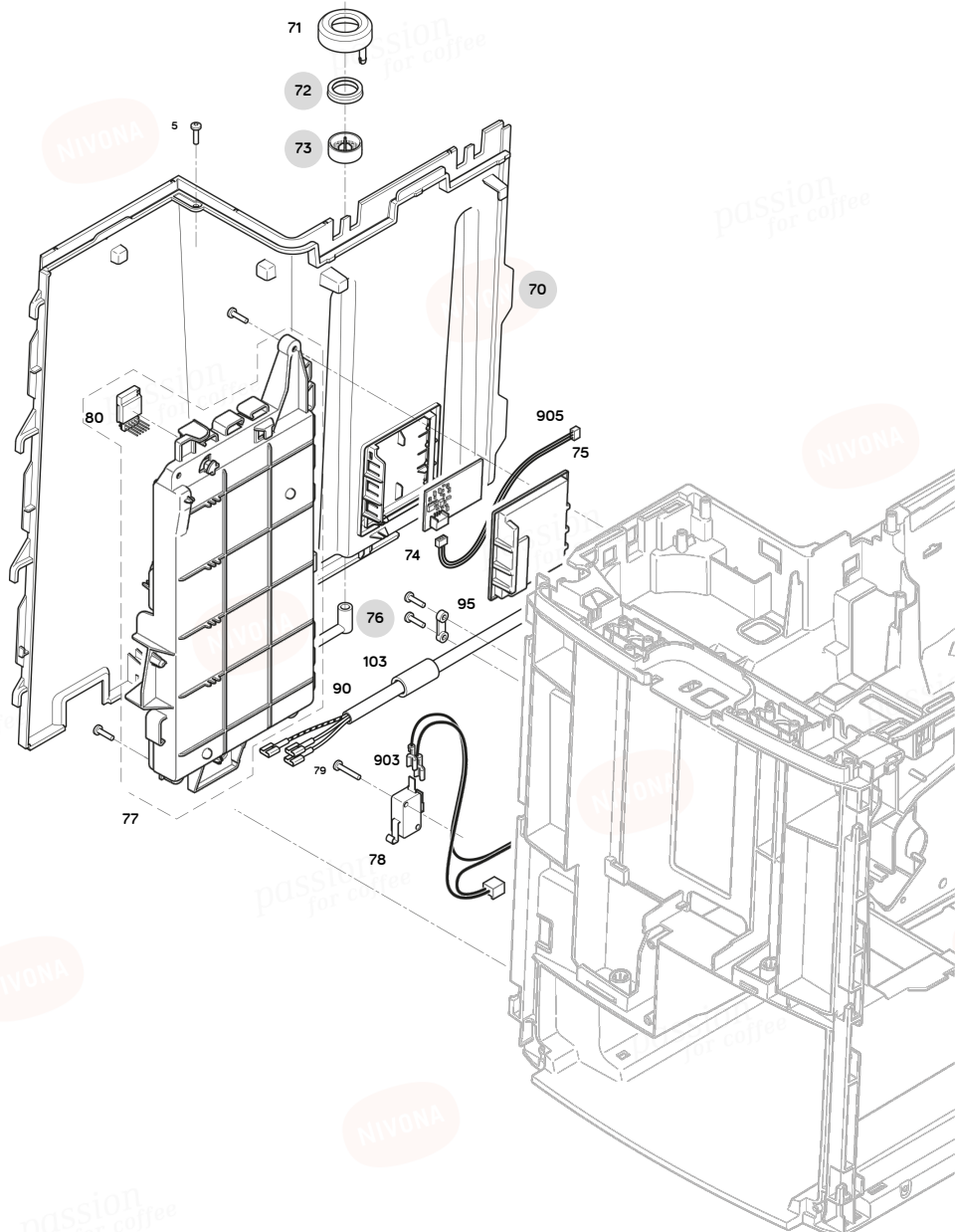
#	Description	Part No.
5	Screw KST/PT 3,0x12 bl galvan	16052
30	Front panel 568	122945
31	Screw KST/PT 3,0x12 blk galvan	44505
32	Roller shutter 568	93381
41	Guide block 568 outlet	103188
43	Guide pin 568 long	91693
44	Guide pin 568 short	91696
45	O-Ring 005,00x1,50 silic/2-K	38141
46	Fixing 568 guide pin	101595
47	Magne 490 D06x6mm black	36880
48	Fixing 568 guide pin	91698

NICR 1040



#	Description	Part No.
5	Screw KST/PT 3,0x12 bl galvan	16052
50	Cover 568 bean contain	91798
51	Protect hood 568 bean contain	92470
52	Bean contain 568	95163
53	Finger protect 568 black	91757
54	Screw M4x12 Inox cyl head	83855
55	Safety ring 7,5x3,5x1,5mm	8291
56	IR bean gauge 568 cpl	94637
57	Cover 568 water tank cpl	95858
58	Cover 568 upper	91717
59	Cup shelf 568 passive	91750
60	Screw GF/Tapt.M4,0x 8 bl	19799
61	Holder 568 hinge	93027
62	Lock washer 04,3x09,0x0,8	5254

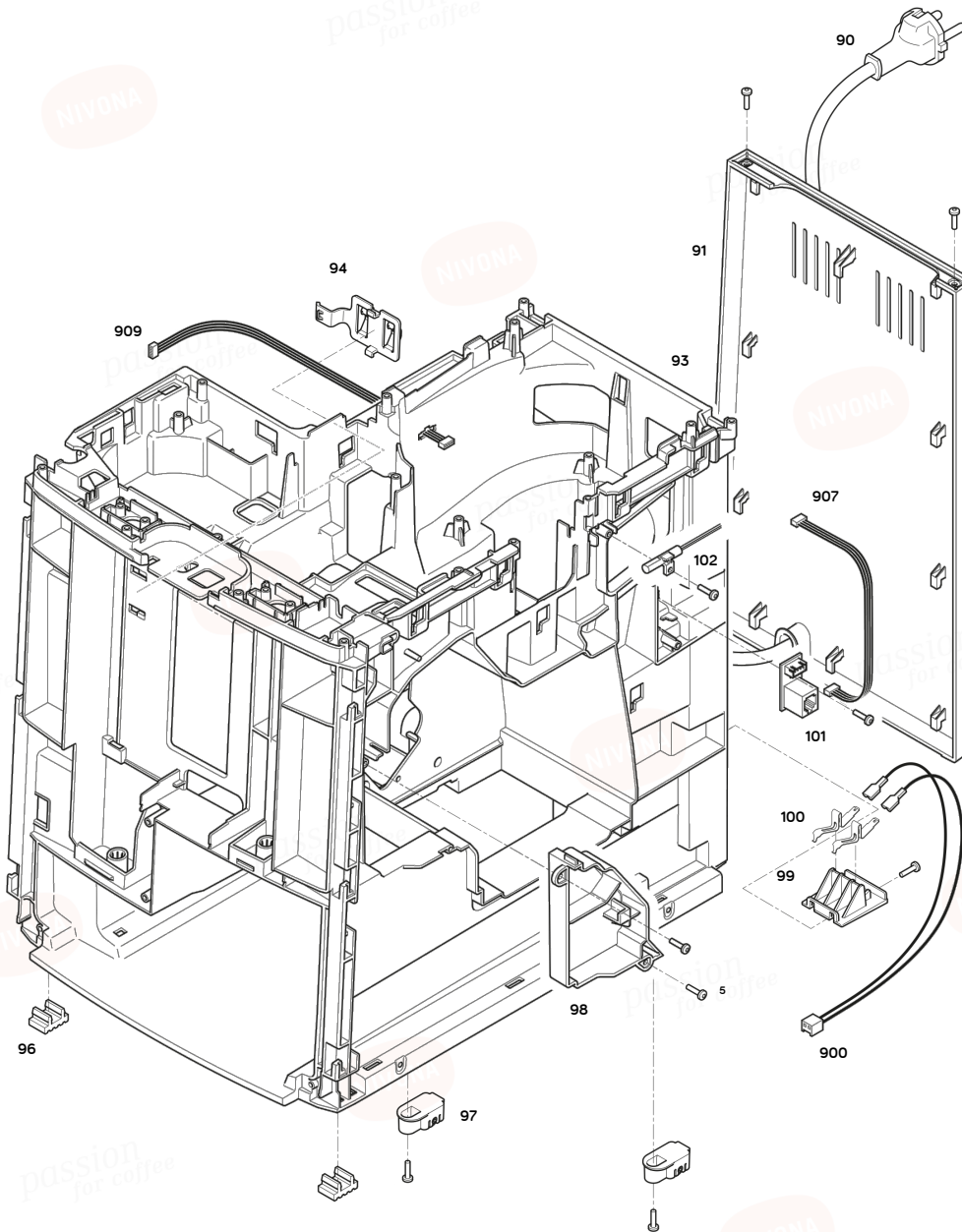
NICR 1040



● = FoodContactArea

#	Description	Part No.
5	Screw KST/PT 3,0x12 bl galvan	16052
70	Side wall 568 left	91706
71	Valve hood 004	58106
72	Internal divided sleeve M2	68031
73	Sieve 510 tank base V3	79494
74	Sensor 586 water level	83077
75	Cover 568 sensor	92627
905	Connector 3x	93266
76	Molded tube 507 silic	76161
77	Electronic 568 main board	92667
78	Micro switch D44N-Q1UA	51179
903	Connector 698 2x driver	111006
79	Screw KST/PT 3,0x20 bl galvan	19504
80	Radio module EFBTLE16	97663
90	Line cord EU M36 L=1,50m	92558
95	Strain relief clamp screwable	1053
103	Axial ferrite typ RH	66285

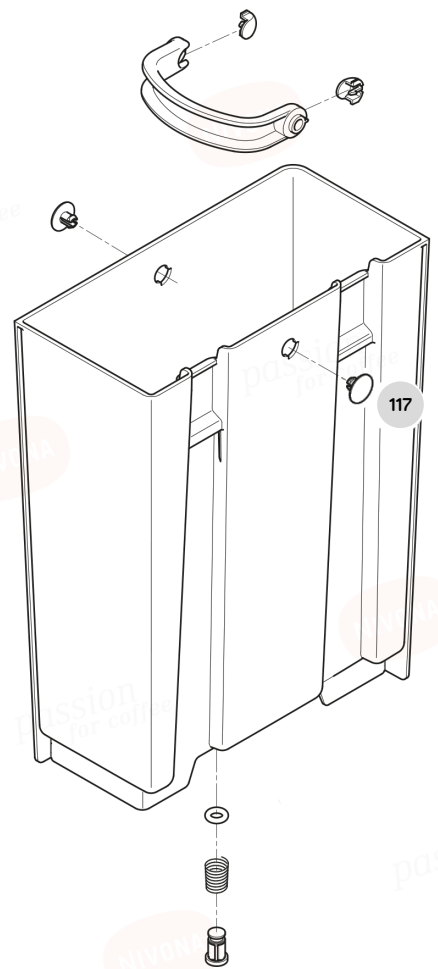
NICR 1040



#	Description	Part No.
5	Screw KST/PT 3,0x12 bl galvan	16052
90	Line cord EU M36 L=1,50m	92558
91	Back wall 568	91716
93	Holder 568	91688
94	Cable holder 568	100116
96	Rubber feet 680 transp	110266
97	Rolls 693 cpl	61512
98	Insert 568 holder	91689
99	Holder 568 detection spring	91731
100	Detection spring 702 Stainless	59426
900	Connector 568 2x, DripTrayContact	92762
101	Service electronic 593	83919
909	Connector 568 4x, Servicecord	93264
102	Reed sensor KSS-EF-BV15644	93501

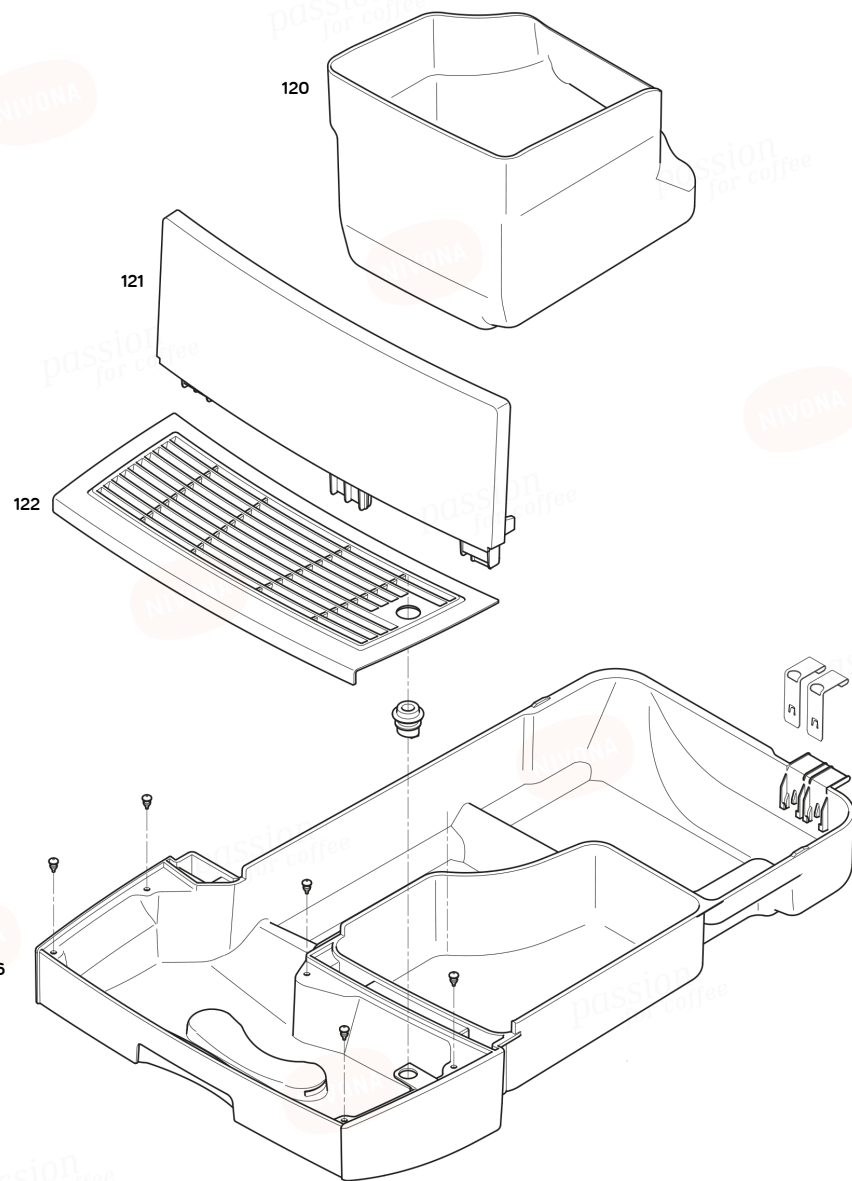
NICR 1040

#	Description	Part No.
117	Water tank 568 cpl	93498



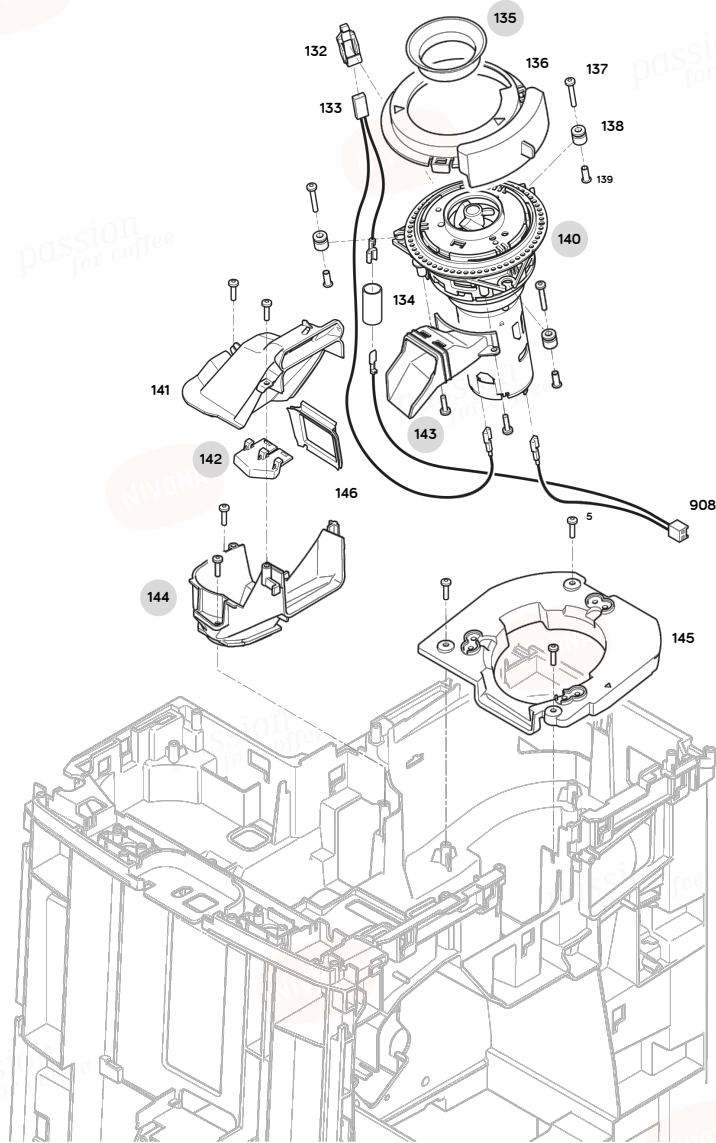
● = FoodContactArea

NICR 1040



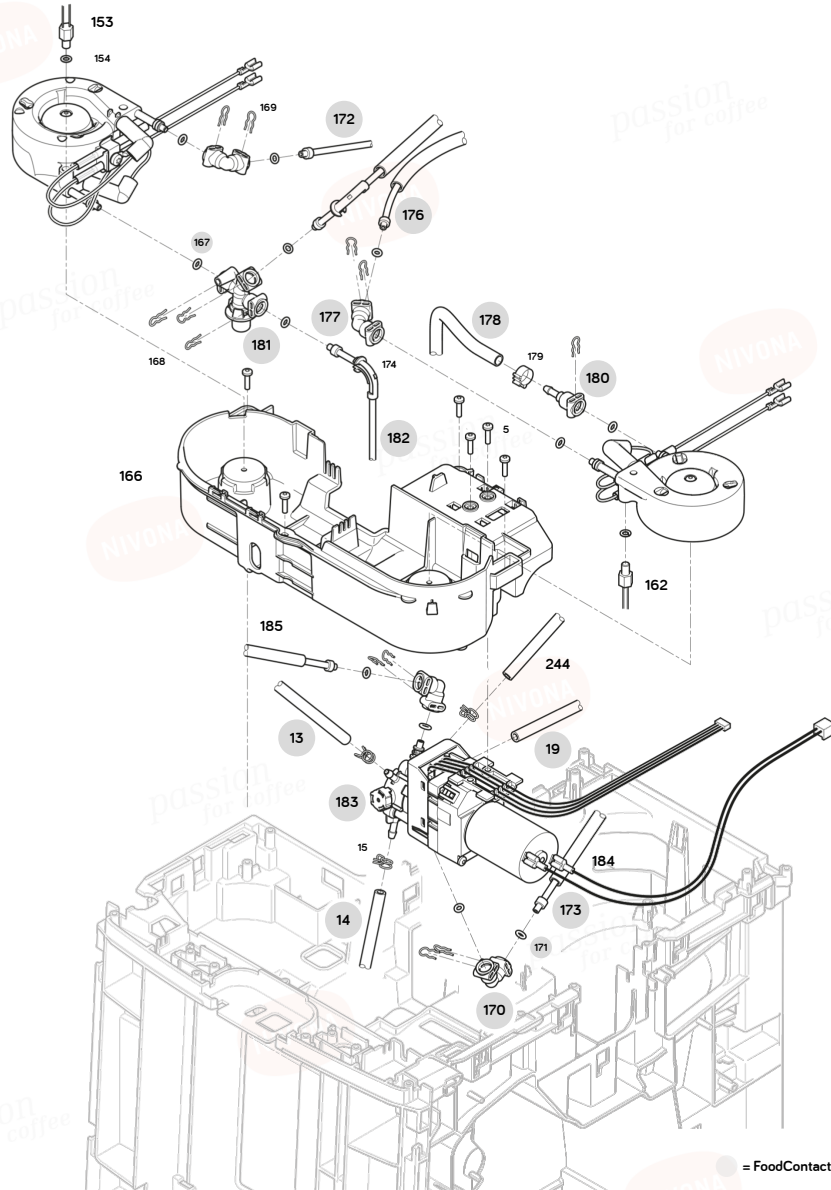
#	Description	Part No.
120	Grounds contain.568 black	91726
121	Faceplate 568 drip tray	91725
122	Drip plate 568 Inox	125715
126	Drip tray 568 cpl.	91969

NICR 1040



#	Description	Part No.
5	Screw KST/PT 3,0x12 bl galvan	16052
132	Holder 005 temperature gauge	43700
133	Current/temperature limiter	71049
134	Hose silic D10,0xd7,00x035mm	56923
135	Spare sleeve 778 cpl	13892
136	Ring 568 grinding select	91736
137	Screw KST/PT 3,0x20 bl galvan	19504
138	Rubber feet 778 black	13904
139	Tubul.rivet 4,0x0,40x10,5	13903
140	Grinder unit	61618
908	Connector 568 2x Grinder unit	94638
141	Air duct 568 black	91734
142	Cover 568 powder funnel	117571
143	Powder funnel 568 grinder	91735
144	Powder funnel 568 lateral	91733
145	Holder 568 grinder unit	91908
146	Seal 568 powder funnel	92469

NICR 1040



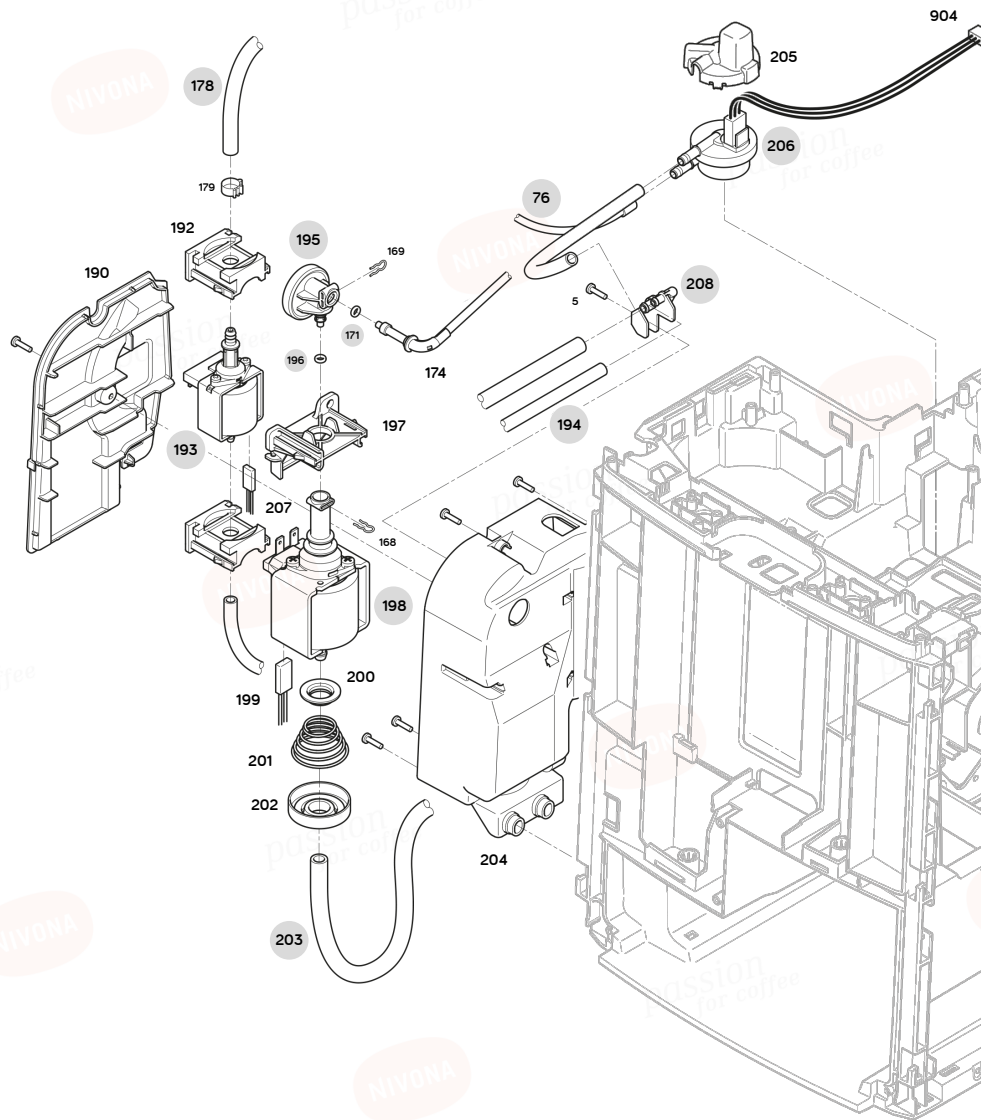
#	Description	Part No.
5	Screw KST/PT 3,0x12 bl galvan	16052
13	Hose silic/reinf. D06,5xd3,0	80924
14	Hose silic/reinf. D06,5xd3,0	64759
15	Hose clamp 7,0-7,5mm Gohard	46283
19	Hose silic D06,0xd3,00x400mm	92820
153	Lock 262 thermobl	70041
162	Thermobl 2010/L 230V/1400W	92751
166	Thermobl 568 230V/1400W/1080W	92773
167	O-Ring 003,40x1,90 FKM	61309
168	Clip D=5mm	37384
169	Clip D=4mm L=14mm Inox	5470
170	Fluid connect elbow 90° short	44431
171	O-Ring 003,40x1,90 silic/2-K	71881
172	Hose FEP D4,0xd2,50x190mm	36290
173	Hose FEP D4,0xd2,50x210mm	40268
174	Antikink protect 90° black	37788
176	Hose FEP D4,0xd2,50x120mm	39199
177	Fluid connect V sharpe 125° V3	103278
178	Hose silic/reinf. D08,2xd4,2	37757
179	Hose clamp 8,0- 9,0mm	69541
180	Fluid connect I shape	71442
181	Outlet valve Y shape / 4 bar, not...	72201
182	Hose FEP D4,0xd2,50x170mm	25639
183	Ceramic valve 568 cpl	94113
184	Hose silic D11,5xd8,00x125mm	24971
185	Hose silic D11,5xd8,00x080mm	15169
244	Hose silic/reinf. D06,5xd3,0	75643

● = FoodContactArea

NIVONA

07.01.2021 | NICR 1040 | 9/12

NICR 1040



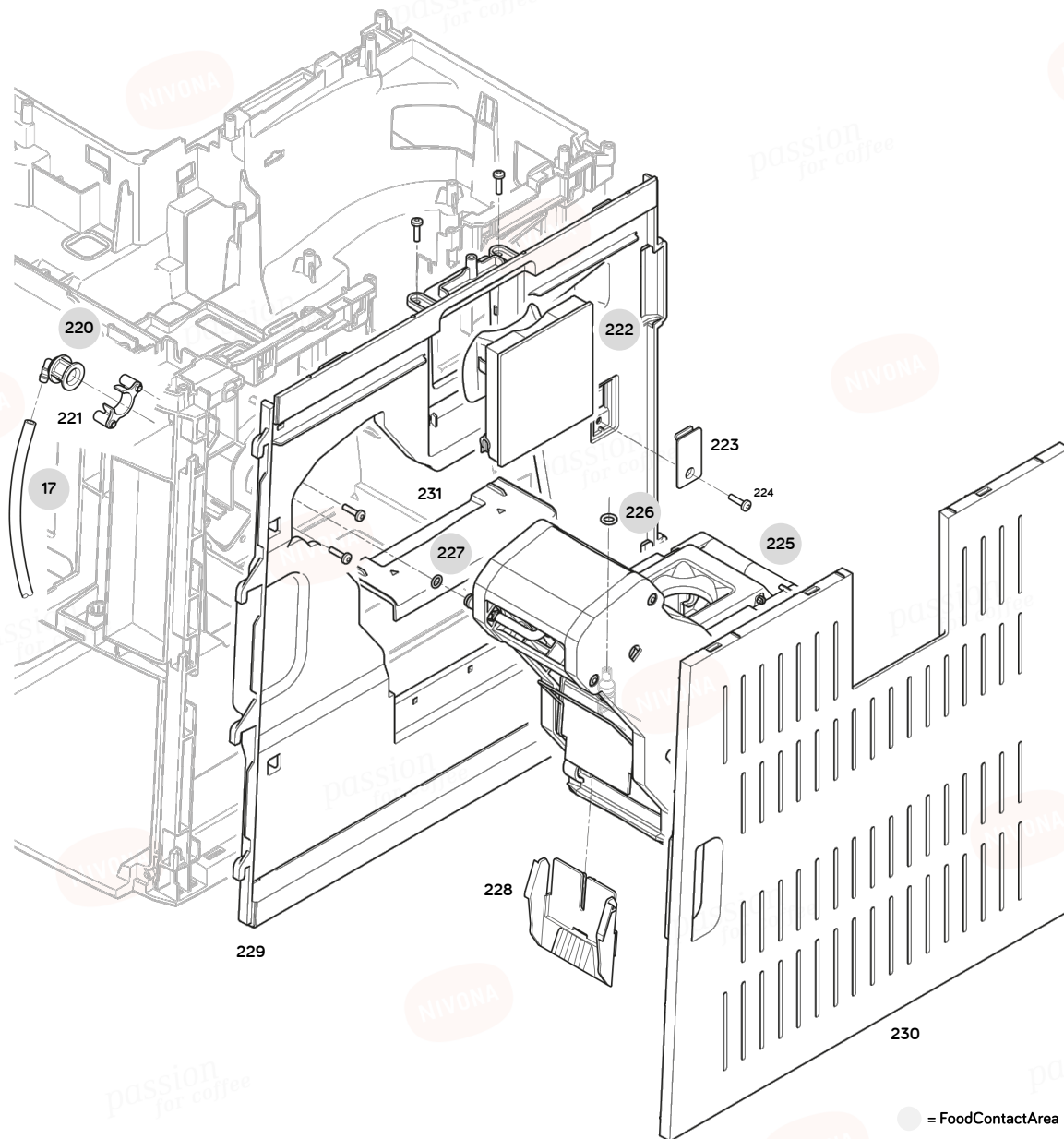
#	Description	Part No.
5	Screw KST/PT 3,0x12 bl galvan	16052
76	Molded tube 507 silic	76161
168	Clip D=5mm	37384
169	Clip D=4mm L=14mm Inox	5470
171	O-Ring 003,40x1,90 silic/2-K	71881
172	Hose FEP D4,0xd2,50x190mm	36290
174	Antikink protect 90° black	37788
178	Hose silic/reinf. D08,2xd4,2	37757
179	Hose clamp 8,0- 9,0mm	69541
190	Cover 568 pump	91904
192	Damping element 568 pump	91905
193	Pump NMEHP1-R5	98741
194	Hose silic D06,0xd3,00x135mm	50611
195	Damping membrane 004	83592
196	O-Ring 003,40x1,90 EPDM V3	61701
197	Holder 590 pump	97250
198	Spare pump SAP:HP4.V03 S EU	100182
207	Connector 568 4x Pump	101248
199	Thermost TB02-B-B8D-105	86823
200	Pump holder 043	81597
201	Press.spring con.1,6mm	52851
202	Damping element 691 pump	65618
203	Hose silic D09,0xd5,00x130mm	22667
204	Holder 568 pump	91902
205	Cover 507 flow meter	79359
206	Flow meter FHKSC 12 0° - OT1.3	84002
904	Connector 568 3x, Flowmeter	92760
208	Connect 568 cold water	91907

● = FoodContactArea

NIVONA

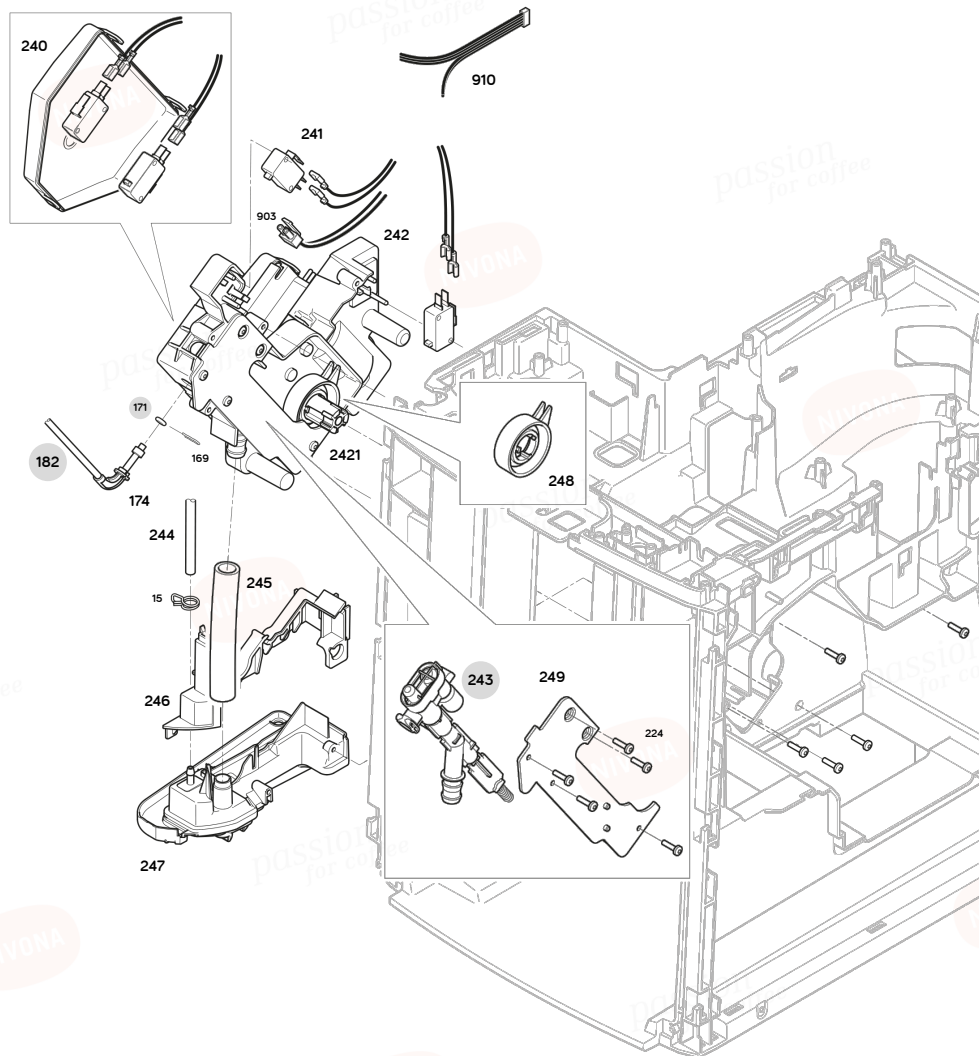
07.01.2021 | NICR 1040 | 10/12

NICR 1040



#	Description	Part No.
17	Hose silic D06,0xd3,00x190mm	66449
224	Screw KST/PT 3,0x12 blk galvan	44505
220	Fluid connect 507 L shape	74313
221	Clip 568 extract unit	94568
222	Cover 568 powder funnel	93499
223	Cover 675 service plug	63500
225	Extract unit A-047 base V8	61123
226	O-Ring 005,00x1,50 silic/2-K	38141
227	O-Ring 005,70x1,90 silic/K-2	53961
228	Grounds outlet 593 black	83512
229	Spare side wall 568 right	102458
230	Door 568	93458
231	Support 568 extract unit	91732

NICR 1040



#	Description	Part No.
15	Hose clamp 7,0-7,5mm Gohard	46283
169	Clip D=4mm L=14mm Inox	5470
171	O-Ring 003,40x1,90 silic/2-K	71881
174	Antikink protect 90° black	37788
182	Hose FEP D4,0xd2,50x170mm	25639
224	Screw KST/PT 3,0x12 blk galvan	44505
240	Cover 047 driver	61505
241	Micro switch D41R-QGAC V3	48905
242	Driver A-047 cpl base V5	93292
903	Connector 698 2x Driver	111006
910	Connector 691 5x Microswitch	64581
2421	spare insert cuppling 047	122646
243	Driver 047	54826
244	Hose silic/reinf. D06,5xd3,0	75643
245	Hose silic D15,0xd11,0x053mm	92037
246	Seal 568	91966
247	Relieve tank 507 cpl V2	73710
248	Drainage valve 047 cpl V5	68368
249	Cover 691 driver V4	64413

● = FoodContactArea

NIVONA

07.01.2021 | NICR 1040 | 12/12